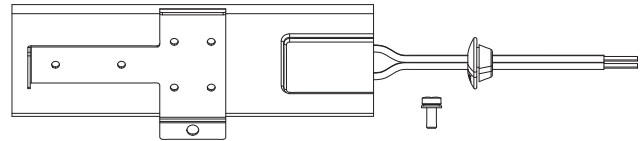
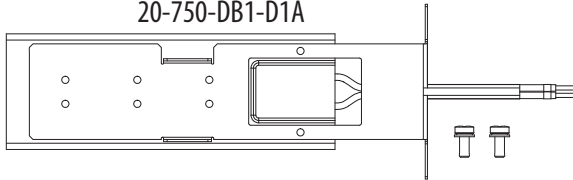


PowerFlex 750-Series Internal Brake Resistor

Catalog Numbers 20F and 20G (Frame 1 and Frame 2 Drives)

Frame 1 Resistors
 20-750-DB1-B1
 20-750-DB1-D1
 20-750-DB1-D1A

Frame 2 Resistors
 20-750-DB1-B2
 20-750-DB1-D2



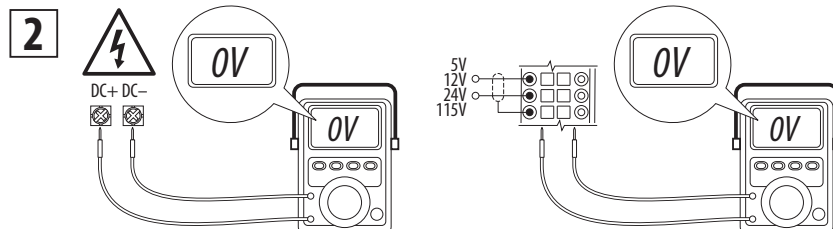
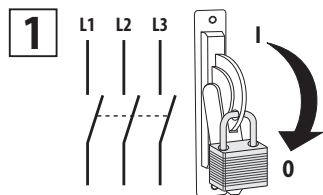
Internal Dynamic Brake Resistor Kits

Cat. No.	Drive Input Voltage	Frame	Rating (ND kW)	Rating (ND Hp)	Brake Resistance (Ω)
20-750-DB1-D1	200...240V AC	1	0.37...0.75	0.5...1	62
20-750-DB1-B1			1.5...4	2...5	22
20-750-DB1-B2		2	0.37...5.5	0.5...7.5	22
20-750-DB1-D1A	380...480V AC	1	0.75...2.2	1...3	115
20-750-DB1-D1			4...7.5	5...10	62
20-750-DB1-D2		2	0.75...11	1...15	62

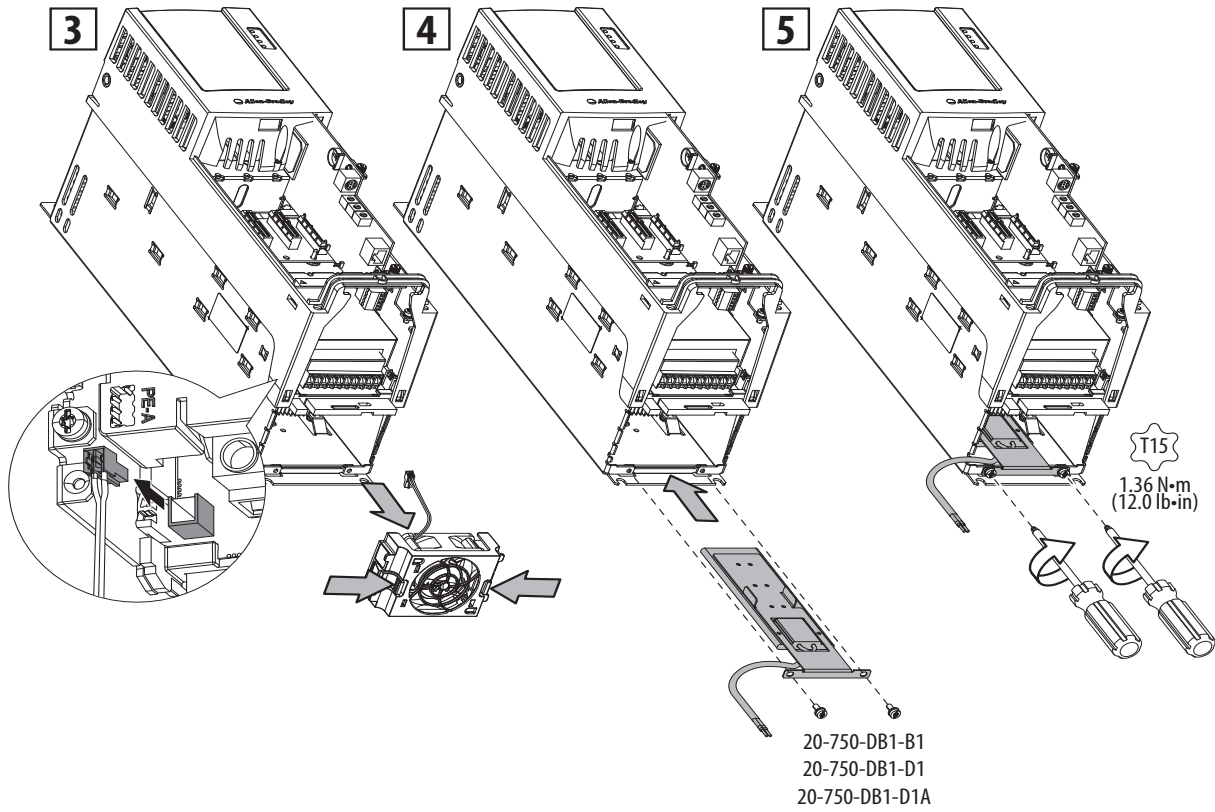
Waste Electrical and Electronic Equipment



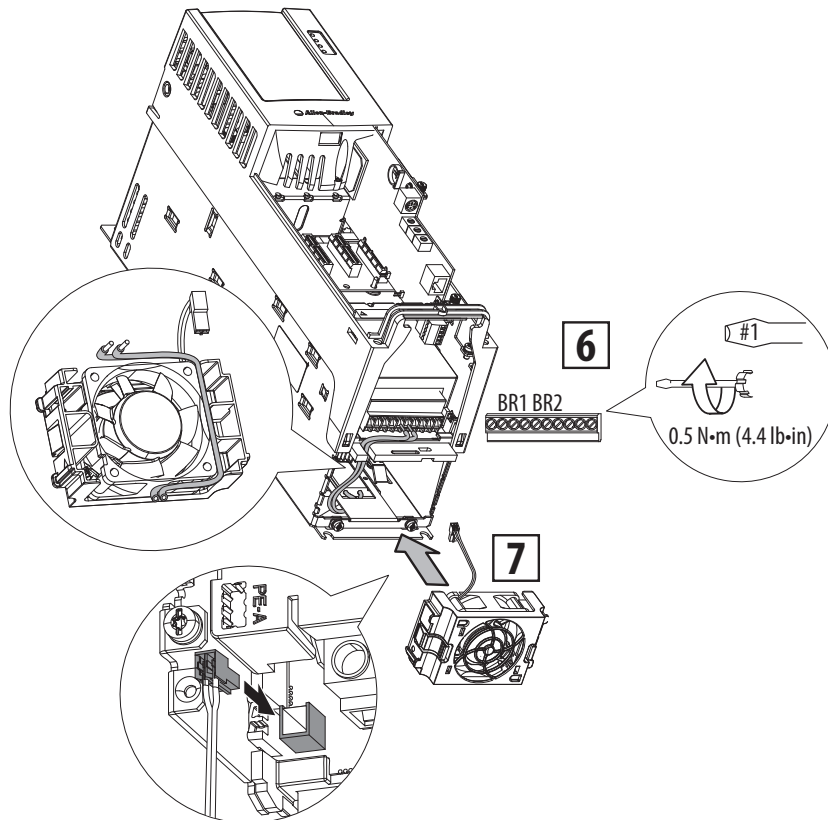
At the end of its life, this equipment should be collected separately from any unsorted municipal waste.



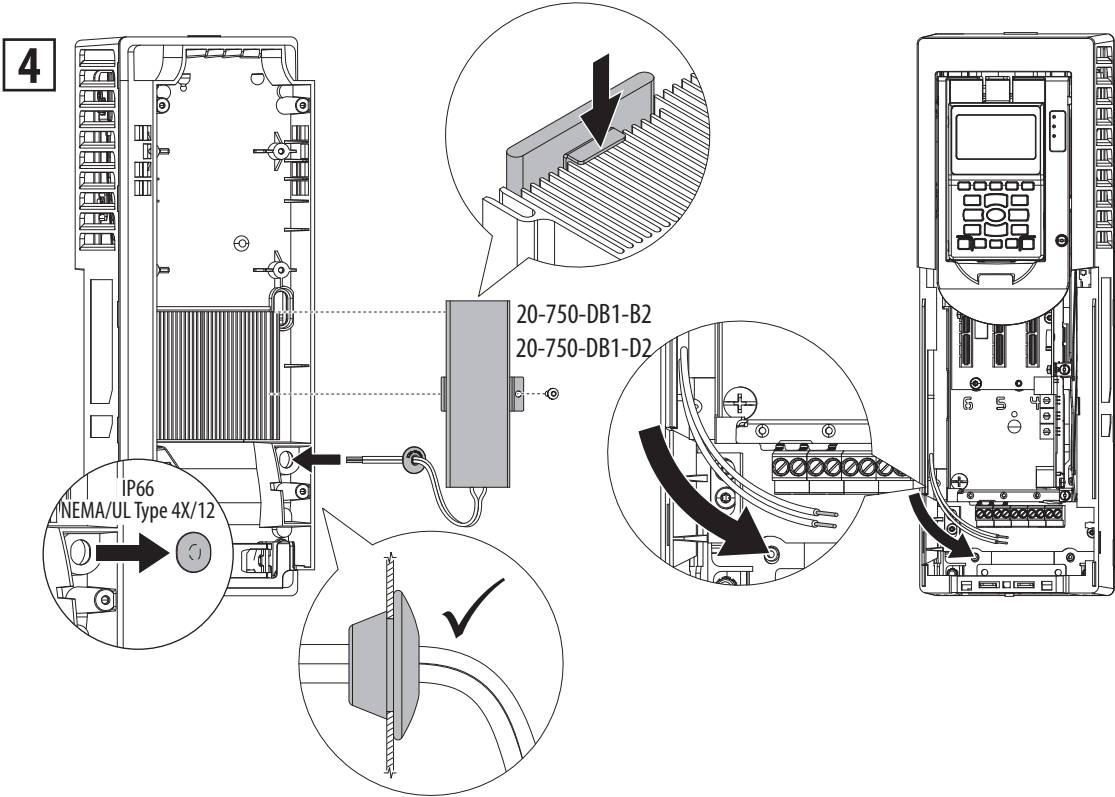
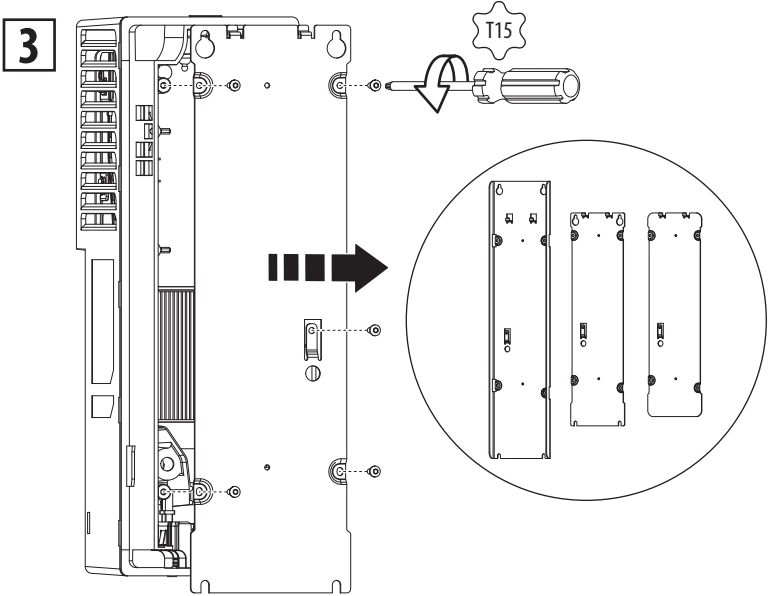
Frame 1



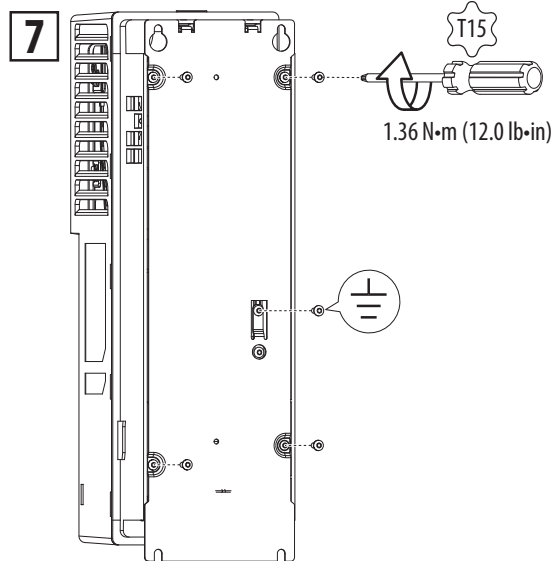
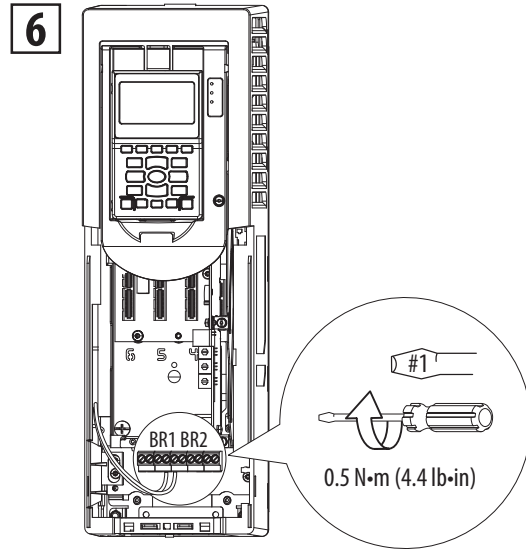
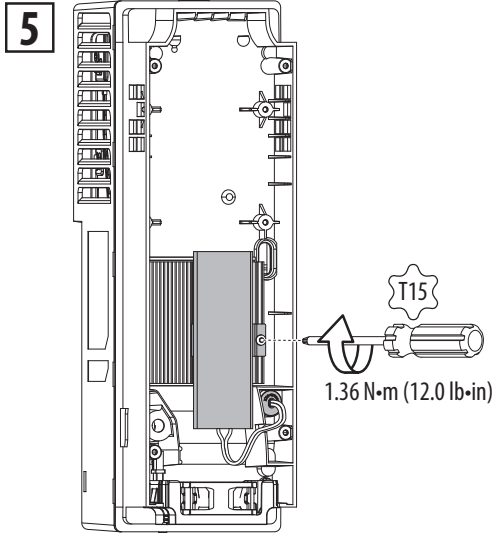
Frame 1



Frame 2



Frame 2



Rockwell Automation maintains current product environmental information on its website at <http://www.rockwellautomation.com/rockwellautomation/about-us/sustainability-ethics/product-environmental-compliance.page>.

Allen-Bradley, PowerFlex, Rockwell Automation, and Rockwell Software are trademarks of Rockwell Automation, Inc. Trademarks not belonging to Rockwell Automation are property of their respective companies.

Rockwell Otomasyon Ticaret A.Ş., Kar Plaza İş Merkezi E Blok Kat:6 34752 İçerenköy, İstanbul, Tel: +90 (216) 5698400

www.rockwellautomation.com

Power, Control and Information Solutions Headquarters

Americas: Rockwell Automation, 1201 South Second Street, Milwaukee, WI 53204-2496 USA, Tel: (1) 414.382.2000, Fax: (1) 414.382.4444
Europe/Middle East/Africa: Rockwell Automation NV, Pegasus Park, De Kleetlaan 12a, 1831 Diegem, Belgium, Tel: (32) 2 663 0600, Fax: (32) 2 663 0640
Asia Pacific: Rockwell Automation, Level 14, Core F, Cyberport 3, 100 Cyberport Road, Hong Kong, Tel: (852) 2887 4788, Fax: (852) 2508 1846



PN-430539